



# I2C addresses!

Created by lady ada



<https://learn.adafruit.com/i2c-addresses>

Last updated on 2021-11-15 06:58:27 PM EST

# Table of Contents

Overview	5
• I2C - Inter-Integrated Circuit communications!	5
The List	7
• Special cases:	7
• 0x00 - 0x0F	8
• 0x00 - Reserved - General Call Address	8
• 0x01 - Reserved for CBUS Compatibility	8
• 0x02 - Reserved for I2C-compatible Bus Variants	8
• 0x03 - Reserved for Future Use	8
• 0x04, 0x05, 0x06, 0x07 - Reserved for Hs-mode Master	8
•	8
• 0x0B	8
• 0x0C	8
• 0x0D	8
• 0x0E	8
• 0x0F	8
• 0x10 - 0x1F	9
•	9
• 0x10	9
• 0x11	9
• 0x12	9
• 0x13	9
• 0x18	9
• 0x19	9
• 0x1A	10
• 0x1B	10
• 0x1C	10
• 0x1D	10
• 0x1E	10
• 0x1F	11
• 0x20-0x2F	11
• 0x20	11
• 0x21	11
• 0x22	11
• 0x23	11
• 0x24	12
• 0x25	12
• 0x26	12
• 0x27	12
• 0x28	12
• 0x29	12
• 0x2A	13
• 0x2B	13
• 0x2C	13
• 0x2D	13
• 0x2E	13
• 0x30 - 0x3F	14
• 0x33	14
• 0x36	14
• 0x38	14
• 0x39	14

• 0x3C	14
• 0x3D	14
• 0x40 - 0x4F	15
• 0x40	15
• 0x41	15
• 0x42	15
• 0x43	16
• 0x44	16
• 0x45	16
• 0x46	16
• 0x47	16
• 0x48	17
• 0x49	17
• 0x4A	17
• 0x4B	18
• 0x4C	18
• 0x4D	18
• 0x4E	18
• 0x4F	19
• 0x50 - 0x5F	19
• 0x50	19
• 0x51	19
• 0x52	19
• 0x53	19
• 0x54	20
• 0x55	20
• 0x56	20
• 0x57	20
• 0x58	20
• 0x59	20
• 0x5A	20
• 0x5B	21
• 0x5C	21
• 0x5D	21
• 0x5E	21
• 0x5F	21
• 0x60 - 0x6F	22
• 0x60	22
• 0x61	22
• 0x62	22
• 0x63	22
• 0x64	22
• 0x65	23
• 0x66	23
• 0x67	23
• 0x68	23
• 0x69	23
• 0x6A	24
• 0x6B	24
• 0x70 - 0x7F	24
• 0x70	24
• 0x71	24
• 0x72	25
• 0x73	25
• 0x74	25
• 0x75	25

• 0x76	25
• 0x77	26
• 0x78 0x79 0x7A 0x7B - Reserved for 10-bit I2C Addressing	27
• 0x7C 0x7D 0x7E 0x7F - Reserved for Future Purposes	27
<b>Troublesome Chips</b>	<b>27</b>

---

---

# Overview

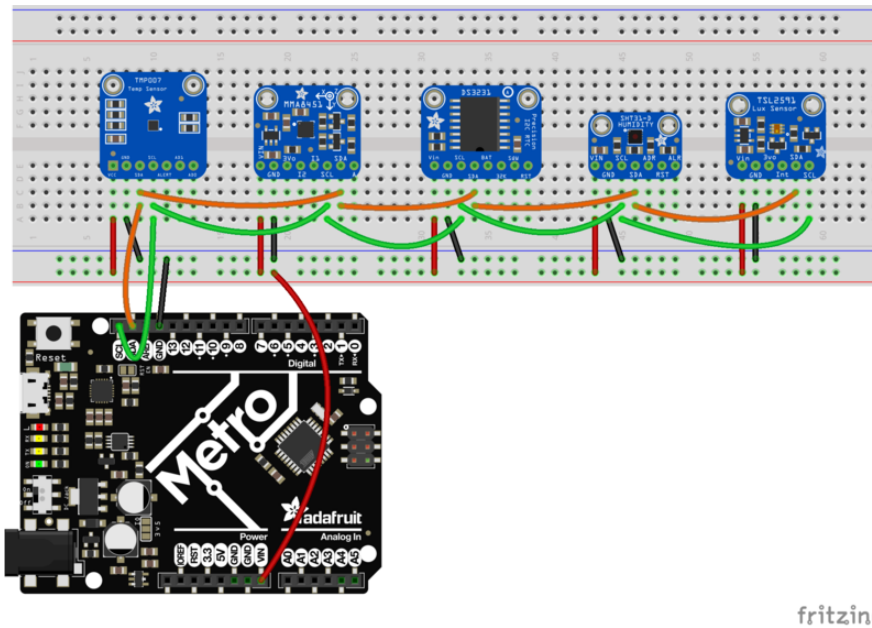
When people need to communicate with each other, we use language. If two people speak the same language, they can talk all they want about all sorts of topics. If they don't speak the same language, communication is difficult. Likewise, electronic parts need to communicate - and they also have their own languages. There are a few common languages that are spoken. The most popular ones are TTL Serial, SPI, I2C, I2S, 1-Wire, and Parallel (such as 8080 or 6800). Of these, Parallel and SPI can 'share a bus' using a select line - multiple devices can share the pins as long as they have a single pin that can be used to indicate who is permitted to speak at one time. 1-Wire and I2C are true shared-bus protocols - you can have 100+ components all talking at once using the same 2 wires (for I2C) or 1-wire (for the aptly-named 1-wire). 1-Wire is much slower than I2C and is a strongly-patented protocol owned by Maxim so you won't see a lot of devices out there other than Maxim/Dallas parts that use 1-wire.

## I2C - Inter-Integrated Circuit communications!

This guide doesn't cover the nitty-gritty details of I2C, other than to note that you can connect multiple I2C devices (often referred to as "I2C peripheral") to a single I2C controller (a.k.a "I2C main") using only two wires.

For example, in this diagram, one Metro (e.g. Arduino compatible) connects to 5 devices.

In general, you can only have one controller and up to 127 devices. (There are exceptions such as multi-main and 10-bit address devices but they are so rare and we've never seen them in practice)



I2C demo fritzing file

<https://adafru.it/y6a>

I2C is incredibly popular because it uses only 2 wires, and like we said, multiple devices can share those wires, making it a great way to connect tons of sensors, drivers, expanders, without using all the microcontroller pins. The only bad news about I2C is that each I2C device must have a unique address - and the addresses only range from 0 to 127 (aka 0 to 0x7F hex). One thing this means is that if you have two accelerometers (lets say) and they both have address 0x22 you cannot have both of them on the same I2C lines.

There are a few work-arounds:

- One is you might be able to power down or 'de-select' one sensor or another at a time.
- Another is that some boards have an address-select line or jumper or other configuration. If you can set one to a different address you're good to go.
- Some devices have a software-reprogrammable address, where they come up as one address on boot but can be told to change address. Oftentimes, the new address is forgotten on reboots, so you have to de-power all the other similarly-addressed devices while you do so.
- [You can use an I2C multiplexer like the TCA9548A \(https://adafru.it/y6b\)](https://adafru.it/y6b) which will let you use one I2C address to talk to the multiplexer and tell it which line you want to enable

Since we deal with so many I2C devices we thought it would be handy to have a table with all the most common sensors and modules we encounter, and their I2C address!

Continue onto the next page to see our current list

---

## The List

OMG Can you believe it? We didn't include every I2C device in the known universe! Fear not, if you post up in the Adafruit forums with your favorite I2C device and the 7-bit addresses they use, we'll update this list! (eventually)

All I2C addresses here are in 7-bit format

## Special cases:

- PCA9685 can use any address between 0x40 to 0x7F. Some of these addresses are fixed. See the [datasheet \(https://adafru.it/okB\)](https://adafru.it/okB) for details. This chip is used in:
  - PWM/Servo Breakout
  - PWM/Servo Shield
  - PWM/Servo HAT
  - PWM/Servo Bonnet
  - PWM/Servo Wing
  - DC & Stepper Motor Shield
  - DC & Stepper Motor HAT
  - DC & Stepper Motor Bonnet
  - DC & Stepper Motor Wing
- 0x00 - 0x07 and 0x78 - 0x7F are reserved I2C addresses

## 0x00 - 0x0F

0x00 - Reserved - General Call Address

0x01 - Reserved for CBUS Compatibility

0x02 - Reserved for I2C-compatible Bus Variants

0x03 - Reserved for Future Use

0x04, 0x05, 0x06, 0x07 - Reserved for Hs-mode Master

### 0x0B

- [LC709203F Fuel Gauge and Battery Monitor \(https://adafru.it/SAm\)](https://adafru.it/SAm) (0x0B only)

### 0x0C

- [MLX90393 3-Axis Magnetometer \(https://adafru.it/TdQ\)](https://adafru.it/TdQ) (0x0C - 0x0F)

### 0x0D

- [MLX90393 3-Axis Magnetometer \(https://adafru.it/TdQ\)](https://adafru.it/TdQ) (0x0C - 0x0F)

### 0x0E

- MAG3110 3-Axis Magnetometer (0x0E only)
- [MLX90393 3-Axis Magnetometer \(https://adafru.it/TdQ\)](https://adafru.it/TdQ) (0x0C - 0x0F)

### 0x0F

- [MLX90393 3-Axis Magnetometer \(https://adafru.it/TdQ\)](https://adafru.it/TdQ) (0x0C - 0x0F)



# 0x10 - 0x1F

## 0x10

- VEML6075 UV sensor (0x10 only)
- [VEML7700 Ambient Light sensor](https://adafru.it/Tdv) (https://adafru.it/Tdv)(0x10 only)

## 0x11

- [Si4713 FM Transmitter with RDS](https://adafru.it/dFH) (https://adafru.it/dFH) (0x11 or 0x63)

## 0x12

- [PMSA0031 Gas Sensor](https://adafru.it/TdH) (https://adafru.it/TdH) (0x12 only)

## 0x13

- [VCNL40x0 proximity sensor](https://adafru.it/keN) (https://adafru.it/keN) (0x13 only)

## 0x18

- [MCP9808 temp sensor](https://adafru.it/e06) (https://adafru.it/e06) (0x18 - 0x1F)
- [MPRLS Pressure sensor](https://adafru.it/TdS) (https://adafru.it/TdS) (0x18)
- [LIS331 3-axis accelerometer](https://adafru.it/TdJ) (https://adafru.it/TdJ)(0x18 or 0x19)
- [LIS3DH 3-axis accelerometer](https://adafru.it/uBq) (https://adafru.it/uBq)(0x18 or 0x19)

## 0x19

- [MCP9808 temp sensor](https://adafru.it/e06) (https://adafru.it/e06) (0x18 - 0x1F)
- [LIS331 3-axis accelerometer](https://adafru.it/TdJ) (https://adafru.it/TdJ)(0x18 or 0x19)
- [LIS3DH 3-axis accelerometer](https://adafru.it/uBq) (https://adafru.it/uBq)(0x18 or 0x19)
- [LSM303 Accelerometer & Magnetometer](https://adafru.it/GA8) (https://adafru.it/GA8) (0x19 for accelerometer and 0x1E for magnetometer)

## 0x1A

- [MCP9808 temp sensor \(https://adafru.it/e06\)](https://adafru.it/e06) (0x18 - 0x1F)

## 0x1B

- [MCP9808 temp sensor \(https://adafru.it/e06\)](https://adafru.it/e06) (0x18 - 0x1F)

## 0x1C

- [LIS3MDL Magnetometer \(https://adafru.it/lqa\)](https://adafru.it/lqa) (0x1C & 0x1E)
- [MCP9808 temp sensor \(https://adafru.it/e06\)](https://adafru.it/e06) (0x18 - 0x1F)
- [MMA845x 3-axis Accelerometer \(https://adafru.it/dLV\)](https://adafru.it/dLV) (0x1C or 0x1D)
- [FXOS8700 Accelerometer/Magnetometer \(https://adafru.it/y6c\)](https://adafru.it/y6c) (0x1C, 0x1D, 0x1E or 0x1F)
- MMA7455L (0x1C or 0x1D)

## 0x1D

- [ADXL343 3-axis accelerometer \(https://adafru.it/Elo\)](https://adafru.it/Elo) (0x1D or 0x53)
- [ADXL345 3-axis accelerometer \(https://adafru.it/y6d\)](https://adafru.it/y6d) (0x1D or 0x53)
- [FXOS8700 Accelerometer/Magnetometer \(https://adafru.it/y6c\)](https://adafru.it/y6c) (0x1C, 0x1D, 0x1E or 0x1F)
- [LSM9DS0 9-axis IMU \(https://adafru.it/vAu\)](https://adafru.it/vAu) (0x1D or 0x1E for Accel/Mag, 0x6A or 0x6B for Gyro)
- [MCP9808 temp sensor \(https://adafru.it/e06\)](https://adafru.it/e06) (0x18 - 0x1F)
- MMA7455L (0x1C or 0x1D)
- [MMA845x 3-axis Accelerometer \(https://adafru.it/dLV\)](https://adafru.it/dLV) (0x1C or 0x1D)

## 0x1E

- [FXOS8700 Accelerometer/Magnetometer \(https://adafru.it/y6c\)](https://adafru.it/y6c) (0x1C, 0x1D, 0x1E or 0x1F)
- [HMC5883 Magnetometer \(https://adafru.it/y6e\)](https://adafru.it/y6e) (0x1E only)
- [LIS2MDL Magnetometer \(https://adafru.it/llf\)](https://adafru.it/llf) (0x1E only)
- [LIS3MDL Magnetometer \(https://adafru.it/lqa\)](https://adafru.it/lqa) (0x1C & 0x1E)
- [LSM303 Accelerometer & Magnetometer \(https://adafru.it/GA8\)](https://adafru.it/GA8) (0x19 for accelerometer and 0x1E for magnetometer)

- [LSM9DS0 9-axis IMU](https://adafru.it/vAu) (<https://adafru.it/vAu>) (0x1D or 0x1E for Accel/Mag, 0x6A or 0x6B for Gyro)
- [MCP9808 temp sensor](https://adafru.it/e06) (<https://adafru.it/e06>) (0x18 - 0x1F)

## 0x1F

- [MCP9808 temp sensor](https://adafru.it/e06) (<https://adafru.it/e06>) (0x18 - 0x1F)
- [FXOS8700 Accelerometer/Magnetometer](https://adafru.it/y6c) (<https://adafru.it/y6c>) (0x1C, 0x1D, 0x1E or 0x1F)

## 0x20-0x2F

### 0x20

- [FXAS21002 Gyroscope](https://adafru.it/y6c) (<https://adafru.it/y6c>) (0x20 or 0x21)
- [Chirp! Water sensor](https://adafru.it/dEv) (<https://adafru.it/dEv>) (0x20)
- [MCP23008 I2C GPIO expander](https://adafru.it/y6f) (<https://adafru.it/y6f>) (0x20 - 0x27)
- [MCP23017 I2C GPIO expander](https://adafru.it/sCR) (<https://adafru.it/sCR>) (0x20 - 0x27)

### 0x21

- [FXAS21002 Gyroscope](https://adafru.it/y6c) (<https://adafru.it/y6c>) (0x20 or 0x21)
- [MCP23008 I2C GPIO expander](https://adafru.it/y6f) (<https://adafru.it/y6f>) (0x20 - 0x27)
- [MCP23017 I2C GPIO expander](https://adafru.it/sCR) (<https://adafru.it/sCR>) (0x20 - 0x27)

### 0x22

- [MCP23008 I2C GPIO expander](https://adafru.it/y6f) (<https://adafru.it/y6f>) (0x20 - 0x27)
- [MCP23017 I2C GPIO expander](https://adafru.it/sCR) (<https://adafru.it/sCR>) (0x20 - 0x27)

### 0x23

- [BH1750 Light Sensor](https://adafru.it/TdF) (<https://adafru.it/TdF>)(0x23 or 0x5C)
- [MCP23008 I2C GPIO expander](https://adafru.it/y6f) (<https://adafru.it/y6f>) (0x20 - 0x27)
- [MCP23017 I2C GPIO expander](https://adafru.it/sCR) (<https://adafru.it/sCR>) (0x20 - 0x27)

## 0x24

- [MCP23008 I2C GPIO expander \(https://adafru.it/y6f\)](https://adafru.it/y6f) (0x20 - 0x27)
- [MCP23017 I2C GPIO expander \(https://adafru.it/sCR\)](https://adafru.it/sCR) (0x20 - 0x27)

## 0x25

- [MCP23008 I2C GPIO expander \(https://adafru.it/y6f\)](https://adafru.it/y6f) (0x20 - 0x27)
- [MCP23017 I2C GPIO expander \(https://adafru.it/sCR\)](https://adafru.it/sCR) (0x20 - 0x27)

## 0x26

- [MCP23008 I2C GPIO expander \(https://adafru.it/y6f\)](https://adafru.it/y6f) (0x20 - 0x27)
- [MCP23017 I2C GPIO expander \(https://adafru.it/sCR\)](https://adafru.it/sCR) (0x20 - 0x27)
- [MSA301 Triple Axis Accelerometer \(https://adafru.it/FDy\)](https://adafru.it/FDy) (0x26 only)

## 0x27

- [MCP23008 I2C GPIO expander \(https://adafru.it/y6f\)](https://adafru.it/y6f) (0x20 - 0x27)
- [MCP23017 I2C GPIO expander \(https://adafru.it/sCR\)](https://adafru.it/sCR) (0x20 - 0x27)

## 0x28

- [BNO055 IMU \(https://adafru.it/fE0\)](https://adafru.it/fE0) (0x28 or 0x29)
- [CAP1188 8-channel Capacitive Touch \(https://adafru.it/eZT\)](https://adafru.it/eZT) (0x28 - 0x2D)
- [DS1841 I2C Digital Logarithmic Potentiometer \(https://adafru.it/JOa\)](https://adafru.it/JOa) (0x28-0x2B)
- [DS3502 I2C Digital 10K Potentiometer \(https://adafru.it/HDc\)](https://adafru.it/HDc) (0x28-0x2B)
- [PCT2075 Temperature Sensor \(https://adafru.it/HDi\)](https://adafru.it/HDi) (0x28-0x2E, 0x48-0x4F, 0x70-0x77)
- [TSL2591 light sensor \(https://adafru.it/dGE\)](https://adafru.it/dGE)(0x29 and 0x28)

## 0x29

- [BNO055 IMU \(https://adafru.it/fE0\)](https://adafru.it/fE0) (0x28 or 0x29)
- [DS1841 I2C Digital Logarithmic Potentiometer \(https://adafru.it/JOa\)](https://adafru.it/JOa) (0x28-0x2B)
- [DS3502 I2C Digital 10K Potentiometer \(https://adafru.it/HDc\)](https://adafru.it/HDc) (0x28-0x2B)
- [PCT2075 Temperature Sensor \(https://adafru.it/HDi\)](https://adafru.it/HDi) (0x28-0x2E, 0x48-0x4F, 0x70-0x77)
- [TCS34725 color sensor \(https://adafru.it/keM\)](https://adafru.it/keM) (0x29 only)

- [TSL2561 \(https://adafru.it/dvU\)](https://adafru.it/dvU) light sensor (0x29, 0x39 or 0x49)
- [TSL2591 light sensor \(https://adafru.it/dGE\)](https://adafru.it/dGE)(0x29 and 0x28)
- [VL53L0x \(https://adafru.it/y6A\)](https://adafru.it/y6A) ToF distance (0x29, software selectable)
- [VL6180X ToF sensor \(https://adafru.it/y6B\)](https://adafru.it/y6B) (0x29)
- [CAP1188 8-channel Capacitive Touch \(https://adafru.it/eZT\)](https://adafru.it/eZT) (0x28 - 0x2D )

## 0x2A

- [CAP1188 8-channel Capacitive Touch \(https://adafru.it/eZT\)](https://adafru.it/eZT) (0x28 - 0x2D)
- [DS1841 I2C Digital Logarithmic Potentiometer \(https://adafru.it/JOa\)](https://adafru.it/JOa) (0x28-0x2B)
- [DS3502 I2C Digital 10K Potentiometer \(https://adafru.it/HDc\)](https://adafru.it/HDc) (0x28-0x2B)
- [PCT2075 Temperature Sensor \(https://adafru.it/HDi\)](https://adafru.it/HDi) (0x28-0x2E, 0x48-0x4F, 0x70-0x77)

## 0x2B

- [CAP1188 8-channel Capacitive Touch \(https://adafru.it/eZT\)](https://adafru.it/eZT) (0x28 - 0x2D)
- [DS1841 I2C Digital Logarithmic Potentiometer \(https://adafru.it/JOa\)](https://adafru.it/JOa) (0x28-0x2B)
- [DS3502 I2C Digital 10K Potentiometer \(https://adafru.it/HDc\)](https://adafru.it/HDc) (0x28-0x2B)
- [PCT2075 Temperature Sensor \(https://adafru.it/HDi\)](https://adafru.it/HDi) (0x28-0x2E, 0x48-0x4F, 0x70-0x77)

## 0x2C

- [CAP1188 8-channel Capacitive Touch \(https://adafru.it/eZT\)](https://adafru.it/eZT) (0x28 - 0x2D)
- [PCT2075 Temperature Sensor \(https://adafru.it/HDi\)](https://adafru.it/HDi) (0x28-0x2E, 0x48-0x4F, 0x70-0x77)

## 0x2D

- [CAP1188 8-channel Capacitive Touch \(https://adafru.it/eZT\)](https://adafru.it/eZT) (0x28 - 0x2D)
- [PCT2075 Temperature Sensor \(https://adafru.it/HDi\)](https://adafru.it/HDi) ( (0x28-0x2E, 0x48-0x4F, 0x70-0x77)

## 0x2E

- [PCT2075 Temperature Sensor \(https://adafru.it/HDi\)](https://adafru.it/HDi) (0x28-0x2E, 0x48-0x4F, 0x70-0x77)

## 0x30 - 0x3F

### 0x33

- [MLX90640 IR Thermal Camera \(https://adafru.it/HDK\)](https://adafru.it/HDK) (0x33 only)

### 0x36

- [Adafruit I2C QT Rotary Encoder with NeoPixel \(https://adafru.it/Sdj\)](https://adafru.it/Sdj) (0x36 through 0x3D by using the jumpers on the back of the board)

### 0x38

- [AHT20 Temp sensor \(https://adafru.it/RKe\)](https://adafru.it/RKe) (0x38 only)
- [VEML6070 UV Index \(https://adafru.it/y6C\)](https://adafru.it/y6C) (0x38 and 0x39)
- [FT6x06 Capacitive Touch Driver \(https://adafru.it/y6D\)](https://adafru.it/y6D) (0x38 only)

### 0x39

- [AS7341 Color Sensor \(https://adafru.it/TdM\)](https://adafru.it/TdM)(0x39)
- [TSL2561 light sensor \(https://adafru.it/dvU\)](https://adafru.it/dvU) (0x29, 0x39 or 0x49)
- [VEML6070 UV Index \(https://adafru.it/y6C\)](https://adafru.it/y6C) (0x38 and 0x39)
- [APDS-9960 IR/Color/Proximity Sensor \(https://adafru.it/IHD\)](https://adafru.it/IHD)(0x39 only)

### 0x3C

- [SSD1305 monochrome OLED \(https://adafru.it/y6E\)](https://adafru.it/y6E) (0x3C or 0x3D, hardware selectable on some displays with a solder connection)
- [SSD1306 monochrome OLED \(https://adafru.it/e3D\)](https://adafru.it/e3D) (0x3C or 0x3D, hardware selectable on some displays with a solder connection)

### 0x3D

- [SSD1305 monochrome OLED \(https://adafru.it/y6E\)](https://adafru.it/y6E) (0x3C or 0x3D, hardware selectable on some displays with a solder connection)
- [SSD1306 monochrome OLED \(https://adafru.it/e3D\)](https://adafru.it/e3D) (0x3C or 0x3D, hardware selectable on some displays with a solder connection)

## 0x40 - 0x4F

- PCA9685. See "Special Cases"

### 0x40

- [Si7021 Humidity/Temp sensor \(https://adafru.it/y6F\)](https://adafru.it/y6F) (0x40 only)
- [HTU21D-F Humidity/Temp Sensor \(0x40 only\) \(https://adafru.it/y7a\)](https://adafru.it/y7a)
- [HTU31D Humidity/Temp Sensor \(https://adafru.it/Tdw\)](https://adafru.it/Tdw) (0x40 or 0x41)
- [HDC1008 Humidity/Temp sensor \(https://adafru.it/y7b\)](https://adafru.it/y7b) (0x40, 0x41, 0x42 or 0x43)
- [MS8607 Temp/Barometric/Humidity \(https://adafru.it/TdB\)](https://adafru.it/TdB) (0x40 for Humidity and 0x76 for Barometric/Temperature)
- [TMP007 IR Temperature sensor \(https://adafru.it/y7c\)](https://adafru.it/y7c) (0x40 - 0x47)
- [TMP006 IR Temperature sensor \(https://adafru.it/dMS\)](https://adafru.it/dMS) (0x40 - 0x47)
- [PCA9685 16-channel PWM driver default address \(https://adafru.it/dUG\)](https://adafru.it/dUG) (0x40 - 0x7F)
- [INA219 High-Side DC Current/Voltage sensor \(https://adafru.it/y7d\)](https://adafru.it/y7d) (0x40 - 0x4F)
- [INA260 Precision DC Current/Power Sensor \(https://adafru.it/EGR\)](https://adafru.it/EGR) (0x40 - 0x4F)

### 0x41

- [HDC1008 Humidity/Temp sensor \(https://adafru.it/y7b\)](https://adafru.it/y7b) (0x40, 0x41, 0x42 or 0x43)
- [HTU31D Humidity/Temp Sensor \(https://adafru.it/Tdw\)](https://adafru.it/Tdw) (0x40 or 0x41)
- [TMP007 IR Temperature sensor \(https://adafru.it/y7c\)](https://adafru.it/y7c) (0x40 - 0x47)
- [TMP006 IR Temperature sensor \(https://adafru.it/dMS\)](https://adafru.it/dMS) (0x40 - 0x47)
- [INA219 High-Side DC Current/Voltage sensor \(https://adafru.it/y7d\)](https://adafru.it/y7d) (0x40 - 0x4F)
- [INA260 Precision DC Current/Power Sensor \(https://adafru.it/EGR\)](https://adafru.it/EGR) (0x40 - 0x4F)
- [STMPE610/STMPE811 Resistive Touch controller \(https://adafru.it/y7e\)](https://adafru.it/y7e) (0x41 or 0x44)

### 0x42

- [HDC1008 Humidity/Temp sensor \(https://adafru.it/y7b\)](https://adafru.it/y7b) (0x40, 0x41, 0x42 or 0x43)
- [TMP007 IR Temperature sensor \(https://adafru.it/y7c\)](https://adafru.it/y7c) (0x40 - 0x47)
- [TMP006 IR Temperature sensor \(https://adafru.it/dMS\)](https://adafru.it/dMS) (0x40 - 0x47)
- [INA219 High-Side DC Current/Voltage sensor \(https://adafru.it/y7d\)](https://adafru.it/y7d) (0x40 - 0x4F)

## 0x43

- [HDC1008 Humidity/Temp sensor \(https://adafru.it/y7b\)](https://adafru.it/y7b) (0x40, 0x41, 0x42 or 0x43)
- [TMP007 IR Temperature sensor \(https://adafru.it/y7c\)](https://adafru.it/y7c) (0x40 - 0x47)
- [TMP006 IR Temperature sensor \(https://adafru.it/dMS\)](https://adafru.it/dMS) (0x40 - 0x47)
- [INA219 High-Side DC Current/Voltage sensor \(https://adafru.it/y7d\)](https://adafru.it/y7d) (0x40 - 0x4F)
- [INA260 Precision DC Current/Power Sensor \(https://adafru.it/EGR\)](https://adafru.it/EGR) (0x40 - 0x4F)

## 0x44

- [SHT40 Humidity/Temp sensor \(https://adafru.it/SAn\)](https://adafru.it/SAn) (0x44)
- [SHT31 Humidity/Temp sensor \(0x44 or 0x45 selectable\) \(https://adafru.it/y7f\)](https://adafru.it/y7f)
- [TMP007 IR Temperature sensor \(https://adafru.it/y7c\)](https://adafru.it/y7c) (0x40 - 0x47)
- [TMP006 IR Temperature sensor \(https://adafru.it/dMS\)](https://adafru.it/dMS) (0x40 - 0x47)
- ISL29125 Color Sensor (0x44 only)
- [INA219 High-Side DC Current/Voltage sensor \(https://adafru.it/y7d\)](https://adafru.it/y7d) (0x40 - 0x4F)
- [INA260 Precision DC Current/Power Sensor \(https://adafru.it/EGR\)](https://adafru.it/EGR) (0x40 - 0x4F)
- [STMPE610/STMPE811 Resistive Touch controller \(https://adafru.it/y7e\)](https://adafru.it/y7e) (0x41 or 0x44)

## 0x45

- [SHT31 Humidity/Temp sensor \(0x44 or 0x45 selectable\) \(https://adafru.it/y7f\)](https://adafru.it/y7f)
- [TMP007 IR Temperature sensor \(https://adafru.it/y7c\)](https://adafru.it/y7c) (0x40 - 0x47)
- [TMP006 IR Temperature sensor \(https://adafru.it/dMS\)](https://adafru.it/dMS) (0x40 - 0x47)
- [INA219 High-Side DC Current/Voltage sensor \(https://adafru.it/y7d\)](https://adafru.it/y7d) (0x40 - 0x4F)
- [INA260 Precision DC Current/Power Sensor \(https://adafru.it/EGR\)](https://adafru.it/EGR) (0x40 - 0x4F)

## 0x46

- [TMP007 IR Temperature sensor \(https://adafru.it/y7c\)](https://adafru.it/y7c) (0x40 - 0x47)
- [TMP006 IR Temperature sensor \(https://adafru.it/dMS\)](https://adafru.it/dMS) (0x40 - 0x47)
- [INA219 High-Side DC Current/Voltage sensor \(https://adafru.it/y7d\)](https://adafru.it/y7d) (0x40 - 0x4F)
- [INA260 Precision DC Current/Power Sensor \(https://adafru.it/EGR\)](https://adafru.it/EGR) (0x40 - 0x4F)

## 0x47

- [TMP007 IR Temperature sensor \(https://adafru.it/y7c\)](https://adafru.it/y7c) (0x40 - 0x47)



- [TMP006 IR Temperature sensor](https://adafru.it/dMS) (<https://adafru.it/dMS>) (0x40 - 0x47)
- [INA219 High-Side DC Current/Voltage sensor](https://adafru.it/y7d) (<https://adafru.it/y7d>) (0x40 - 0x4F)
- [INA260 Precision DC Current/Power Sensor](https://adafru.it/EGR) (<https://adafru.it/EGR>) (0x40 - 0x4F)

## 0x48

- [ADS1115 4-channel 16-bit ADC](https://adafru.it/y7A) (<https://adafru.it/y7A>) (0x48 0x49 0x4A or 0x4B)
- [ADT7410 Temp sensor](https://adafru.it/EgN) (<https://adafru.it/EgN>) (0x48 0x49 0x4A or 0x4B)
- [INA219 High-Side DC Current/Voltage sensor](https://adafru.it/y7d) (<https://adafru.it/y7d>) (0x40 - 0x4F)
- [INA260 Precision DC Current/Power Sensor](https://adafru.it/EGR) (<https://adafru.it/EGR>) (0x40 - 0x4F)
- [PCF8591 Quad 8-bit ADC + 8-bit DAC](https://adafru.it/TdA) (<https://adafru.it/TdA>) (0x48 - 0x4F)
- [PCT2075 Temperature Sensor](https://adafru.it/HDi) (<https://adafru.it/HDi>) (0x28-0x2E, 0x48-0x4F, 0x70-0x77)
- [PN532 NFC/RFID reader](https://adafru.it/eOv) (<https://adafru.it/eOv>) (0x48 only)
- TMP102 Temperature sensor (0x48 0x49 0x4A or 0x4B)
- [TMP117 Temperature sensor](https://adafru.it/Tdz) (<https://adafru.it/Tdz>) (0x48 0x49 0x4A or 0x4B)

## 0x49

- [ADS1115 4-channel 16-bit ADC](https://adafru.it/y7A) (<https://adafru.it/y7A>) (0x48 0x49 0x4A or 0x4B)
- [ADT7410 Temp sensor](https://adafru.it/EgN) (<https://adafru.it/EgN>) (0x48 0x49 0x4A or 0x4B)
- [AS7262 Light/Color sensor](https://adafru.it/TdU) (<https://adafru.it/TdU>) (0x49)
- [INA219 High-Side DC Current/Voltage sensor](https://adafru.it/y7d) (<https://adafru.it/y7d>) (0x40 - 0x4F)
- [INA260 Precision DC Current/Power Sensor](https://adafru.it/EGR) (<https://adafru.it/EGR>) (0x40 - 0x4F)
- [PCF8591 Quad 8-bit ADC + 8-bit DAC](https://adafru.it/TdA) (<https://adafru.it/TdA>) (0x48 - 0x4F)
- [PCT2075 Temperature Sensor](https://adafru.it/HDi) (<https://adafru.it/HDi>) (0x28-0x2E, 0x48-0x4F, 0x70-0x77)
- [TSL2561 light sensor](https://adafru.it/dvU) (<https://adafru.it/dvU>) (0x29, 0x39 or 0x49)
- TMP102 Temperature sensor (0x48 0x49 0x4A or 0x4B)
- [TMP117 Temperature sensor](https://adafru.it/Tdz) (<https://adafru.it/Tdz>) (0x48 0x49 0x4A or 0x4B)

## 0x4A

- [ADS1115 4-channel 16-bit ADC](https://adafru.it/y7A) (<https://adafru.it/y7A>) (0x48 0x49 0x4A or 0x4B)
- [ADT7410 Temp sensor](https://adafru.it/EgN) (<https://adafru.it/EgN>) (0x48 0x49 0x4A or 0x4B)
- [BNO085 9-DoF IMU](https://adafru.it/Tdl) (<https://adafru.it/Tdl>) (0x4A or 0x4B)
- [INA219 High-Side DC Current/Voltage sensor](https://adafru.it/y7d) (<https://adafru.it/y7d>) (0x40 - 0x4F)
- [INA260 Precision DC Current/Power Sensor](https://adafru.it/EGR) (<https://adafru.it/EGR>) (0x40 - 0x4F)
- [PCF8591 Quad 8-bit ADC + 8-bit DAC](https://adafru.it/TdA) (<https://adafru.it/TdA>) (0x48 - 0x4F)

- [PCT2075 Temperature Sensor \(https://adafru.it/HDi\)](https://adafru.it/HDi) (0x28-0x2E, 0x48-0x4F, 0x70-0x77)
- TMP102 Temperature sensor (0x48 0x49 0x4A or 0x4B)
- [TMP117 Temperature sensor \(https://adafru.it/Tdz\)](https://adafru.it/Tdz) (0x48 0x49 0x4A or 0x4B)

## 0x4B

- [ADS1115 4-channel 16-bit ADC \(https://adafru.it/y7A\)](https://adafru.it/y7A) (0x48 0x49 0x4A or 0x4B)
- [ADT7410 Temp sensor \(https://adafru.it/EgN\)](https://adafru.it/EgN) (0x48 0x49 0x4A or 0x4B)
- [BNO085 9-DoF IMU \(https://adafru.it/Tdl\)](https://adafru.it/Tdl) (0x4A or 0x4B)
- [INA219 High-Side DC Current/Voltage sensor \(https://adafru.it/y7d\)](https://adafru.it/y7d) (0x40 - 0x4F)
- [INA260 Precision DC Current/Power Sensor \(https://adafru.it/EGR\)](https://adafru.it/EGR) (0x40 - 0x4F)
- [PCF8591 Quad 8-bit ADC + 8-bit DAC \(https://adafru.it/TdA\)](https://adafru.it/TdA) (0x48 - 0x4F)
- [PCT2075 Temperature Sensor \(https://adafru.it/HDi\)](https://adafru.it/HDi) (0x28-0x2E, 0x48-0x4F, 0x70-0x77)
- TMP102 Temperature sensor (0x48 0x49 0x4A or 0x4B)
- [TMP117 Temperature sensor \(https://adafru.it/Tdz\)](https://adafru.it/Tdz) (0x48 0x49 0x4A or 0x4B)

## 0x4C

- [EMC2101 Fan Controller \(https://adafru.it/Tcg\)](https://adafru.it/Tcg) (0x4C)
- [INA219 High-Side DC Current/Voltage sensor \(https://adafru.it/y7d\)](https://adafru.it/y7d) (0x40 - 0x4F)
- [INA260 Precision DC Current/Power Sensor \(https://adafru.it/EGR\)](https://adafru.it/EGR) (0x40 - 0x4F)
- [PCF8591 Quad 8-bit ADC + 8-bit DAC \(https://adafru.it/TdA\)](https://adafru.it/TdA) (0x48 - 0x4F)
- [PCT2075 Temperature Sensor \(https://adafru.it/HDi\)](https://adafru.it/HDi) (0x28-0x2E, 0x30-0x37, 0x48-0x4F)

## 0x4D

- [INA219 High-Side DC Current/Voltage sensor \(https://adafru.it/y7d\)](https://adafru.it/y7d) (0x40 - 0x4F)
- [INA260 Precision DC Current/Power Sensor \(https://adafru.it/EGR\)](https://adafru.it/EGR) (0x40 - 0x4F)
- [PCF8591 Quad 8-bit ADC + 8-bit DAC \(https://adafru.it/TdA\)](https://adafru.it/TdA) (0x48 - 0x4F)
- [PCT2075 Temperature Sensor \(https://adafru.it/HDi\)](https://adafru.it/HDi) (0x28-0x2E, 0x48-0x4F, 0x70-0x77)

## 0x4E

- [INA219 High-Side DC Current/Voltage sensor \(https://adafru.it/y7d\)](https://adafru.it/y7d) (0x40 - 0x4F)
- [INA260 Precision DC Current/Power Sensor \(https://adafru.it/EGR\)](https://adafru.it/EGR) (0x40 - 0x4F)
- [PCF8591 Quad 8-bit ADC + 8-bit DAC \(https://adafru.it/TdA\)](https://adafru.it/TdA) (0x48 - 0x4F)

- [PCT2075 Temperature Sensor \(https://adafru.it/HDi\)](https://adafru.it/HDi) (0x28-0x2E, 0x48-0x4F, 0x70-0x77)

## 0x4F

- [INA219 High-Side DC Current/Voltage sensor \(https://adafru.it/y7d\)](https://adafru.it/y7d) (0x40 - 0x4F)
- [INA260 Precision DC Current/Power Sensor \(https://adafru.it/EGR\)](https://adafru.it/EGR) (0x40 - 0x4F)
- [PCF8591 Quad 8-bit ADC + 8-bit DAC \(https://adafru.it/TdA\)](https://adafru.it/TdA) (0x48 - 0x4F)
- [PCT2075 Temperature Sensor \(https://adafru.it/HDi\)](https://adafru.it/HDi) (0x28-0x2E, 0x48-0x4F, 0x70-0x77)

## 0x50 - 0x5F

- PCA9685. See "Special Cases"

## 0x50

- [MB85RC I2C FRAM \(https://adafru.it/y7B\)](https://adafru.it/y7B) (0x50 - 0x57)

## 0x51

- [MB85RC I2C FRAM \(https://adafru.it/y7B\)](https://adafru.it/y7B) (0x50 - 0x57)

## 0x52

- [MB85RC I2C FRAM \(https://adafru.it/y7B\)](https://adafru.it/y7B) (0x50 - 0x57)
- [Nintendo Nunchuck controller \(https://adafru.it/eQ5\)](https://adafru.it/eQ5) (0x52 only)

## 0x53

- [ADXL343 3-axis accelerometer \(https://adafru.it/Elo\)](https://adafru.it/Elo) (0x1D or 0x53)
- [ADXL345 3-axis accelerometer \(https://adafru.it/y6d\)](https://adafru.it/y6d) (0x1D or 0x53)
- [LTR390 UV sensor \(https://adafru.it/PBv\)](https://adafru.it/PBv) (0x53)
- [MB85RC I2C FRAM \(https://adafru.it/y7B\)](https://adafru.it/y7B) (0x50 - 0x57)

## 0x54

- [MB85RC I2C FRAM \(https://adafru.it/y7B\)](https://adafru.it/y7B) (0x50 - 0x57)

## 0x55

- [MB85RC I2C FRAM \(https://adafru.it/y7B\)](https://adafru.it/y7B) (0x50 - 0x57)

## 0x56

- [MB85RC I2C FRAM \(https://adafru.it/y7B\)](https://adafru.it/y7B) (0x50 - 0x57)

## 0x57

- [MB85RC I2C FRAM \(https://adafru.it/y7B\)](https://adafru.it/y7B) (0x50 - 0x57)
- MAX3010x Pulse & Oximetry sensor (0x57)

## 0x58

- [AW9523 GPIO Expander and LED Driver \(https://adafru.it/RaG\)](https://adafru.it/RaG) (0x58 - 0x5B)
- [TPA2016 I2C-controlled Amplifier \(https://adafru.it/elo\)](https://adafru.it/elo) (0x58 only)
- [SGP30 Gas Sensor \(https://adafru.it/PF7\)](https://adafru.it/PF7) (0x58 only)

## 0x59

- [AW9523 GPIO Expander and LED Driver \(https://adafru.it/RaG\)](https://adafru.it/RaG) (0x58 - 0x5B)
- [SGP40 Gas Sensor \(https://adafru.it/PBE\)](https://adafru.it/PBE) (0x59 only)

## 0x5A

- [AW9523 GPIO Expander and LED Driver \(https://adafru.it/RaG\)](https://adafru.it/RaG) (0x58 - 0x5B)
- [MPR121 12-point capacitive touch sensor \(https://adafru.it/dKK\)](https://adafru.it/dKK) (0x5A, 0x5B, 0x5C, 0x5D)
- [CCS811 VOC sensor \(https://adafru.it/BIK\)](https://adafru.it/BIK) (0x5A or 0x5B)
- [MLX9061x IR temperature sensor \(https://adafru.it/y7C\)](https://adafru.it/y7C) (0x5A only)
- [DRV2605 Haptic Motor Driver \(https://adafru.it/y7D\)](https://adafru.it/y7D) (0x5A only)

## 0x5B

- [AW9523 GPIO Expander and LED Driver](https://adafru.it/RaG) (https://adafru.it/RaG) (0x58 - 0x5B)
- [MPR121 12-point capacitive touch sensor](https://adafru.it/dKK) (https://adafru.it/dKK) (0x5A, 0x5B, 0x5C, 0x5D)
- [CCS811 VOC sensor](https://adafru.it/BIK) (https://adafru.it/BIK)(0x5A or 0x5B)

## 0x5C

- [AM2315 Humidity/Temp sensor \(0x5C only\)](https://adafru.it/y7E) (https://adafru.it/y7E)
- [AM2320 Humidity/Temp snesor \(0x5C only\)](https://adafru.it/Jgf) (https://adafru.it/Jgf)
- [BH1750 Light Sensor](https://adafru.it/TdF) (https://adafru.it/TdF)(0x23 or 0x5C)
- [LPS22 Pressure Sensor](https://adafru.it/TdK) (https://adafru.it/TdK) (0x5C, 0x5D)
- [LPS25 Pressure Sensor \(0x5C, 0x5D\)](https://adafru.it/Jbx) (https://adafru.it/Jbx)
- [LPS33HW Ported Pressure Sensor \(0x5C, 0x5D\)](https://adafru.it/HDd) (https://adafru.it/HDd)
- [LPS35HW Pressure Sensor \(0x5C, 0x5D\)](https://adafru.it/HDe) (https://adafru.it/HDe)
- [MPR121 12-point capacitive touch sensor](https://adafru.it/dKK) (https://adafru.it/dKK) (0x5A, 0x5B, 0x5C, 0x5D)

## 0x5D

- [LPS22 Pressure Sensor](https://adafru.it/TdK) (https://adafru.it/TdK) (0x5C, 0x5D)
- [LPS25 Pressure Sensor \(0x5C, 0x5D\)](https://adafru.it/Jbx) (https://adafru.it/Jbx)
- [LPS33HW Ported Pressure Sensor \(0x5C, 0x5D\)](https://adafru.it/HDd) (https://adafru.it/HDd)
- [LPS35HW Pressure Sensor \(0x5C, 0x5D\)](https://adafru.it/HDe) (https://adafru.it/HDe)
- [MPR121 12-point capacitive touch sensor](https://adafru.it/dKK) (https://adafru.it/dKK) (0x5A, 0x5B, 0x5C, 0x5D)

## 0x5E

- [TLV493D triple-axis Magnetometer](https://adafru.it/IES) (https://adafru.it/IES) (0x5E)

## 0x5F

- [HTS221 Humidity/Temp Sensor](https://adafru.it/TdL) (https://adafru.it/TdL)(0x5F)

## 0x60 - 0x6F

- PCA9685. See "Special Cases"

### 0x60

- [ATECC608 Cryptographic Co-Processor \(https://adafru.it/TdX\)](https://adafru.it/TdX) (0x60)
- [MCP4728 Quad DAC \(0x60 only\) \(https://adafru.it/Hdf\)](https://adafru.it/Hdf)
- [MCP9600 Temp Sensor \(https://adafru.it/TdG\)](https://adafru.it/TdG) (0x60 - 0x67)
- [MPL115A2 Barometric Pressure \(0x60 only\) \(https://adafru.it/y7F\)](https://adafru.it/y7F)
- [MPL3115A2 Barometric Pressure \(0x60 only\) \(https://adafru.it/dsw\)](https://adafru.it/dsw)
- [Si5351A Clock Generator \(https://adafru.it/y8a\)](https://adafru.it/y8a) (0x60 or 0x61)
- [Si1145 Light/IR Sensor \(https://adafru.it/y8b\)](https://adafru.it/y8b) (0x60 only)
- MCP4725A0 12-bit DAC (0x60 or 0x61)
- TEA5767 Radio receiver (0x60 only)
- [VCNL4040 Proximity and Ambient Light sensor \(https://adafru.it/FrY\)](https://adafru.it/FrY) (0x60 only)

### 0x61

- MCP4725A0 12-bit DAC (0x60 or 0x61)
- [MCP9600 Temp Sensor \(https://adafru.it/TdG\)](https://adafru.it/TdG) (0x60 - 0x67)
- [Si5351A Clock Generator \(https://adafru.it/y8a\)](https://adafru.it/y8a) (0x60 or 0x61)
- [SCD30 Humidity/Temp/Gas sensor \(https://adafru.it/QfK\)](https://adafru.it/QfK) (0x61)

### 0x62

- [MCP4725A1 12-bit DAC \(https://adafru.it/y8c\)](https://adafru.it/y8c) (0x62 or 0x63)
- [MCP9600 Temp Sensor \(https://adafru.it/TdG\)](https://adafru.it/TdG) (0x60 - 0x67)

### 0x63

- [MCP4725A1 12-bit DAC \(https://adafru.it/y8c\)](https://adafru.it/y8c) (0x62 or 0x63)
- [MCP9600 Temp Sensor \(https://adafru.it/TdG\)](https://adafru.it/TdG) (0x60 - 0x67)
- [Si4713 FM Transmitter with RDS \(https://adafru.it/dFH\)](https://adafru.it/dFH) (0x11 or 0x63)

### 0x64

- MCP4725A2 12-bit DAC (0x64 or 0x65)

- [MCP9600 Temp Sensor \(https://adafru.it/TdG\)](https://adafru.it/TdG) (0x60 - 0x67)

## 0x65

- MCP4725A2 12-bit DAC (0x64 or 0x65)
- [MCP9600 Temp Sensor \(https://adafru.it/TdG\)](https://adafru.it/TdG) (0x60 - 0x67)

## 0x66

- MCP4725A3 12-bit DAC (0x66 or 0x67)
- [MCP9600 Temp Sensor \(https://adafru.it/TdG\)](https://adafru.it/TdG) (0x60 - 0x67)

## 0x67

- MCP4725A3 12-bit DAC (0x66 or 0x67)
- [MCP9600 Temp Sensor \(https://adafru.it/TdG\)](https://adafru.it/TdG) (0x60 - 0x67)

## 0x68

This address is really popular with real time clocks, almost all of them use 0x68!

- [AMG8833 IR Thermal Camera Breakout \(0x68 or 0x69\) \(https://adafru.it/y8d\)](https://adafru.it/y8d)
- [DS1307 RTC \(0x68 only\) \(https://adafru.it/sd0\)](https://adafru.it/sd0)
- [DS3231 RTC \(0x68 only\) \(https://adafru.it/sd6\)](https://adafru.it/sd6)
- [ICM-20649 Accel+Gyro \(https://adafru.it/HDI\)](https://adafru.it/HDI) (0x68 or 0x69)
- ITG3200 Gyro (0x68 or 0x69)
- MPU-9250 9-DoF IMU (0x68 or 0x69)
- MPU-60X0 Accel+Gyro (0x68 or 0x69)
- [PCF8523 RTC \(0x68 only\) \(https://adafru.it/sd5\)](https://adafru.it/sd5)

## 0x69

- [AMG8833 IR Thermal Camera Breakout \(0x68 or 0x69\) \(https://adafru.it/y8d\)](https://adafru.it/y8d)
- [ICM-20649 Accel+Gyro \(https://adafru.it/HDI\)](https://adafru.it/HDI) (0x68 or 0x69)
- MPU-9250 (0x68 or 0x69)
- MPU-60X0 Accel+Gyro (0x68 or 0x69)
- ITG3200 Gyro (0x68 or 0x69)

## 0x6A

- [ICM330DHC 6-axis IMU \(https://adafru.it/IET\)](https://adafru.it/IET) (0x6A or 0x6B)
- [L3GD20H gyroscope \(https://adafru.it/dNY\)](https://adafru.it/dNY) (0x6A or 0x6B)
- [LSM6DS33 6-axis IMU \(https://adafru.it/IfN\)](https://adafru.it/IfN) (0x6A or 0x6B)
- [LSM6DSOX 6-axis IMU \(https://adafru.it/HDj\)](https://adafru.it/HDj) (0x6A or 0x6B)
- [LSM9DS0 9-axis IMU \(https://adafru.it/vAu\)](https://adafru.it/vAu) (0x1D or 0x1E for Accel/Mag, 0x6A or 0x6B for Gyro)

## 0x6B

- [ICM330DHC 6-axis IMU \(https://adafru.it/IET\)](https://adafru.it/IET) (0x6A or 0x6B)
- [L3GD20H gyroscope \(https://adafru.it/dNY\)](https://adafru.it/dNY) (0x6A or 0x6B)
- [LSM6DS33 6-axis IMU \(https://adafru.it/IfN\)](https://adafru.it/IfN) (0x6A or 0x6B)
- [LSM6DSOX 6-axis IMU \(https://adafru.it/HDj\)](https://adafru.it/HDj) (0x6A or 0x6B)
- [LSM9DS0 9-axis IMU \(https://adafru.it/vAu\)](https://adafru.it/vAu) (0x1D or 0x1E for Accel/Mag, 0x6A or 0x6B for Gyro)

## 0x70 - 0x7F

- PCA9685 Shields, HATs, Breakouts, Wings etc - See "Special Cases"

## 0x70

- [HT16K33 LED Matrix Driver \(https://adafru.it/y8e\)](https://adafru.it/y8e) (0x70 - 0x77)
- [PCT2075 Temperature Sensor \(https://adafru.it/HDi\)](https://adafru.it/HDi) (0x28-0x2E, 0x48-0x4F, 0x70-0x77)
- [TCA9548 1-to-8 I2C Multiplexer \(https://adafru.it/y6b\)](https://adafru.it/y6b) (0x70 - 0x77)
- [SHTC3 Temp and Humidity Sensor \(https://adafru.it/QgA\)](https://adafru.it/QgA)(0x70)

## 0x71

- [HT16K33 LED Matrix Driver \(https://adafru.it/y8e\)](https://adafru.it/y8e) (0x70 - 0x77)
- [PCT2075 Temperature Sensor \(https://adafru.it/HDi\)](https://adafru.it/HDi) (0x28-0x2E, 0x48-0x4F, 0x70-0x77)
- [TCA9548 1-to-8 I2C Multiplexer \(https://adafru.it/y6b\)](https://adafru.it/y6b) (0x70 - 0x77)



## 0x72

- [HT16K33 LED Matrix Driver \(https://adafru.it/y8e\)](https://adafru.it/y8e) (0x70 - 0x77)
- [PCT2075 Temperature Sensor \(https://adafru.it/HDi\)](https://adafru.it/HDi) (0x28-0x2E, 0x48-0x4F, 0x70-0x77)
- [TCA9548 1-to-8 I2C Multiplexer \(https://adafru.it/y6b\)](https://adafru.it/y6b) (0x70 - 0x77)

## 0x73

- [HT16K33 LED Matrix Driver \(https://adafru.it/y8e\)](https://adafru.it/y8e) (0x70 - 0x77)
- [PCT2075 Temperature Sensor \(https://adafru.it/HDi\)](https://adafru.it/HDi) (0x28-0x2E, 0x48-0x4F, 0x70-0x77)
- [TCA9548 1-to-8 I2C Multiplexer \(https://adafru.it/y6b\)](https://adafru.it/y6b) (0x70 - 0x77)

## 0x74

- [HT16K33 LED Matrix Driver \(https://adafru.it/y8e\)](https://adafru.it/y8e) (0x70 - 0x77)
- [IS31FL3731 144-LED CharliePlex driver \(https://adafru.it/scC\)](https://adafru.it/scC) (0x74 0x75 0x66 or 0x77)
- [PCT2075 Temperature Sensor \(https://adafru.it/HDi\)](https://adafru.it/HDi) (0x28-0x2E, 0x48-0x4F, 0x70-0x77)
- [TCA9548 1-to-8 I2C Multiplexer \(https://adafru.it/y6b\)](https://adafru.it/y6b) (0x70 - 0x77)

## 0x75

- [HT16K33 LED Matrix Driver \(https://adafru.it/y8e\)](https://adafru.it/y8e) (0x70 - 0x77)
- [IS31FL3731 144-LED CharliePlex driver \(https://adafru.it/scC\)](https://adafru.it/scC) (0x74 0x75 0x66 or 0x77)
- [PCT2075 Temperature Sensor \(https://adafru.it/HDi\)](https://adafru.it/HDi) (0x28-0x2E, 0x48-0x4F, 0x70-0x77)
- [TCA9548 1-to-8 I2C Multiplexer \(https://adafru.it/y6b\)](https://adafru.it/y6b) (0x70 - 0x77)

## 0x76

- [BME280 Temp/Barometric/Humidity \(https://adafru.it/y8f\)](https://adafru.it/y8f) (0x76 or 0x77)
- [BME680 Temp/Barometric/Humidity/Gas \(https://adafru.it/OvA\)](https://adafru.it/OvA) (0x76 or 0x77)
- [BMP280 Temp/Barometric \(https://adafru.it/ufr\)](https://adafru.it/ufr) (0x76 or 0x77)
- [BMP388 Temp/Barometric \(https://adafru.it/TdC\)](https://adafru.it/TdC) (0x76 or 0x77)
- [BMP390 Temp/Barometric \(https://adafru.it/TdD\)](https://adafru.it/TdD) (0x76 or 0x77)

- [DPS310 Barometric Sensor](https://adafru.it/RKd) (0x76 or 0x77)
- [HT16K33 LED Matrix Driver](https://adafru.it/y8e) (0x70 - 0x77)
- [IS31FL3731 144-LED CharliePlex driver](https://adafru.it/scC) (0x74 0x75 0x66 or 0x77)
- MS5607/MS5611 Barometric Pressure (0x76 or 0x77)
- [MS8607 Temp/Barometric/Humidity](https://adafru.it/TdB) (0x40 for Humidity and 0x76 for Barometric/Temperature)
- [PCT2075 Temperature Sensor](https://adafru.it/HDi) (0x28-0x2E, 0x48-0x4F, 0x70-0x77)
- [TCA9548 1-to-8 I2C Multiplexer](https://adafru.it/y6b) (0x70 - 0x77)

## 0x77

- BMA180 Accelerometer (0x77 only)
- [BME280 Temp/Barometric/Humidity](https://adafru.it/y8f) (0x76 or 0x77)
- [BME680 Temp/Barometric/Humidity/Gas](https://adafru.it/OvA) (0x76 or 0x77)
- [BMP180 Temp/Barometric \(0x77 only\)](https://adafru.it/y8A) (https://adafru.it/y8A)
- [BMP085 Temp/Barometric \(0x77 only\)](https://adafru.it/y8B) (https://adafru.it/y8B)
- [BMP280 Temp/Barometric](https://adafru.it/ufr) (0x76 or 0x77)
- [BMP388 Temp/Barometric](https://adafru.it/TdC) (0x76 or 0x77)
- [BMP390 Temp/Barometric](https://adafru.it/TdD) (0x76 or 0x77)
- [DPS310 Barometric Sensor](https://adafru.it/RKd) (0x76 or 0x77)
- [HT16K33 LED Matrix Driver](https://adafru.it/y8e) (0x70 - 0x77)
- [IS31FL3731 144-LED CharliePlex driver](https://adafru.it/scC) (0x74 0x75 0x66 or 0x77)
- MS5607/MS5611 Barometric Pressure (0x76 or 0x77)
- [PCT2075 Temperature Sensor](https://adafru.it/HDi) (0x28-0x2E, 0x48-0x4F, 0x70-0x77)
- [TCA9548 1-to-8 I2C Multiplexer](https://adafru.it/y6b) (0x70 - 0x77)

0x78 0x79 0x7A 0x7B - Reserved for 10-bit I2C Addressing

0x7C 0x7D 0x7E 0x7F - Reserved for Future Purposes

---

## Troublesome Chips

Some sensors or chips have non-standard behavior that causes issues when trying to use I2C. Here's a few of the ones to watch for

- BNO055 - Clock stretching, and sometimes needs to be reset
- ATECCx08 - Use slow-speed I2C to get out of sleep mode
- MCP9600 (some date codes) - duplicate data from register reads due to clock stretching (?)
- PN532 - Clock stretching
- CCS811 - Clock stretching

If you're using Raspberry Pi with these chips, check out our guide on how to work-around clock stretching

<https://learn.adafruit.com/circuitpython-on-raspberrypi-linux/i2c-clock-stretching> (<https://adafru.it/C7x>)